

# Family tent 16m<sup>2</sup>

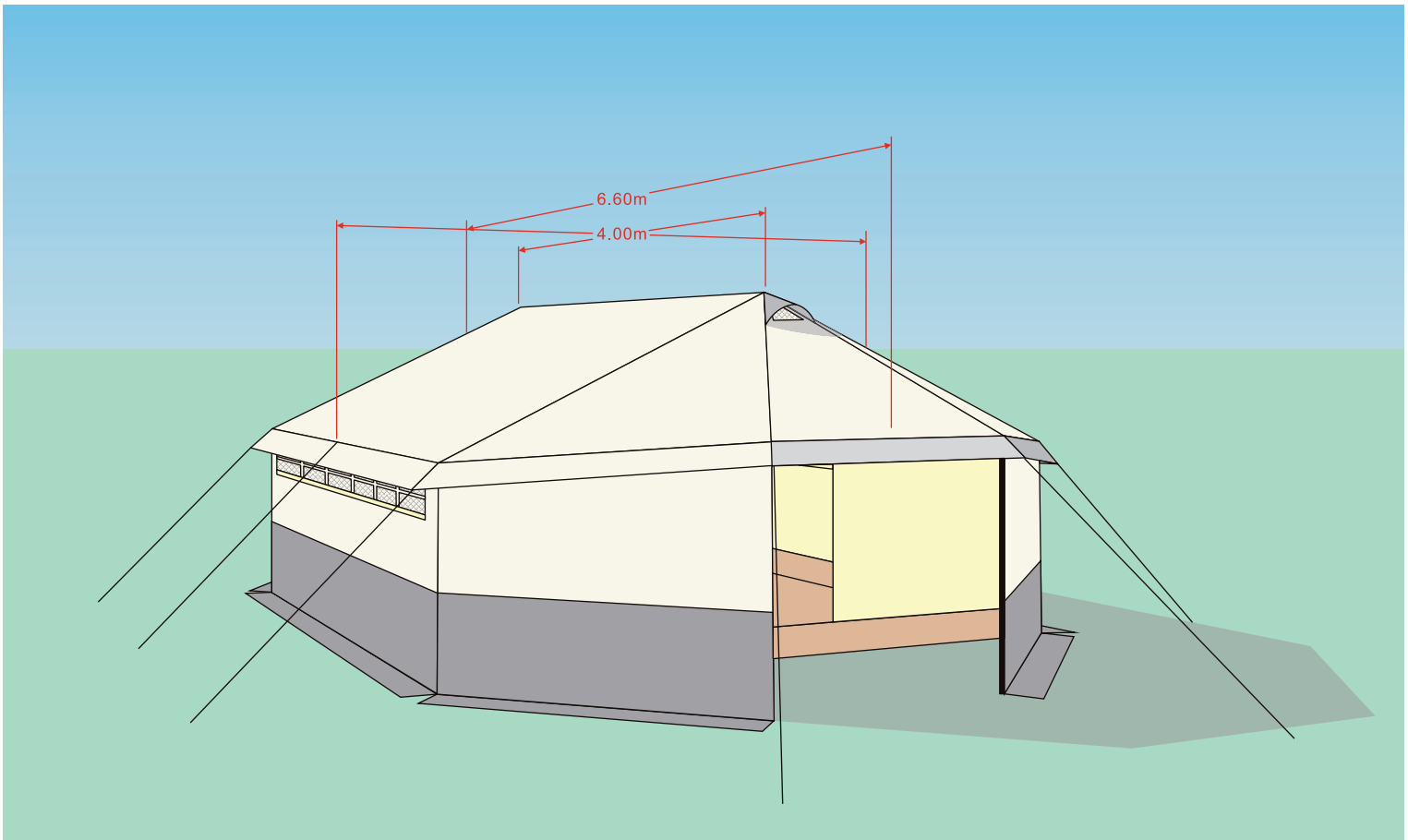
## Recommendations

### How to do a proper layout

- Choose a safe site away from polluted water, landslides and falling rocks. Make sure it is well drained and safe from floods when it rains.
- The layout should take into account sphere indicators on firebreaks, minimum distance between tents, total open space per person, minimum covered space per person, and minimum distance and facilities per person for water points, latrines, washing facilities and refuse bins. Sphere guidelines suggests providing at least 45 m<sup>2</sup> per person for the whole site including facilities such as water taps and roads, as well as 3.5m<sup>2</sup> of covered space per person in hot and temperate climates, or 4.5m<sup>2</sup> per person in cold climates. By these standards (16m<sup>2</sup> main floor area plus two 3.5 m<sup>2</sup> vestibules for a total area of 23m<sup>2</sup>), the family tent should only hold five people in hot and temperate climates and incorporate additional space for cold climates. Approx 67m<sup>2</sup> of usable space is required to erect the tent. This includes space to anchor the guy ropes.

### How to do a proper installation considering climate conditions

- Keep guy ropes tight to prevent the tent from sagging. Also dig drainage ditches and bury mud flap (20cm overlay) in a trench.
- Orient doors away from prevailing wind.
- In hot and humid contexts, tents provide shade from the sun. They should be well ventilated and have appropriate drainage.
- The tent is able to withstand a 75km/h wind without any damage and remain securely attached to the ground without any loss of tension. However, to guarantee stability, regularly strengthen the canvas using the ropes, fixing and pegs. Avoid retention of raining water with the strengthening patches.



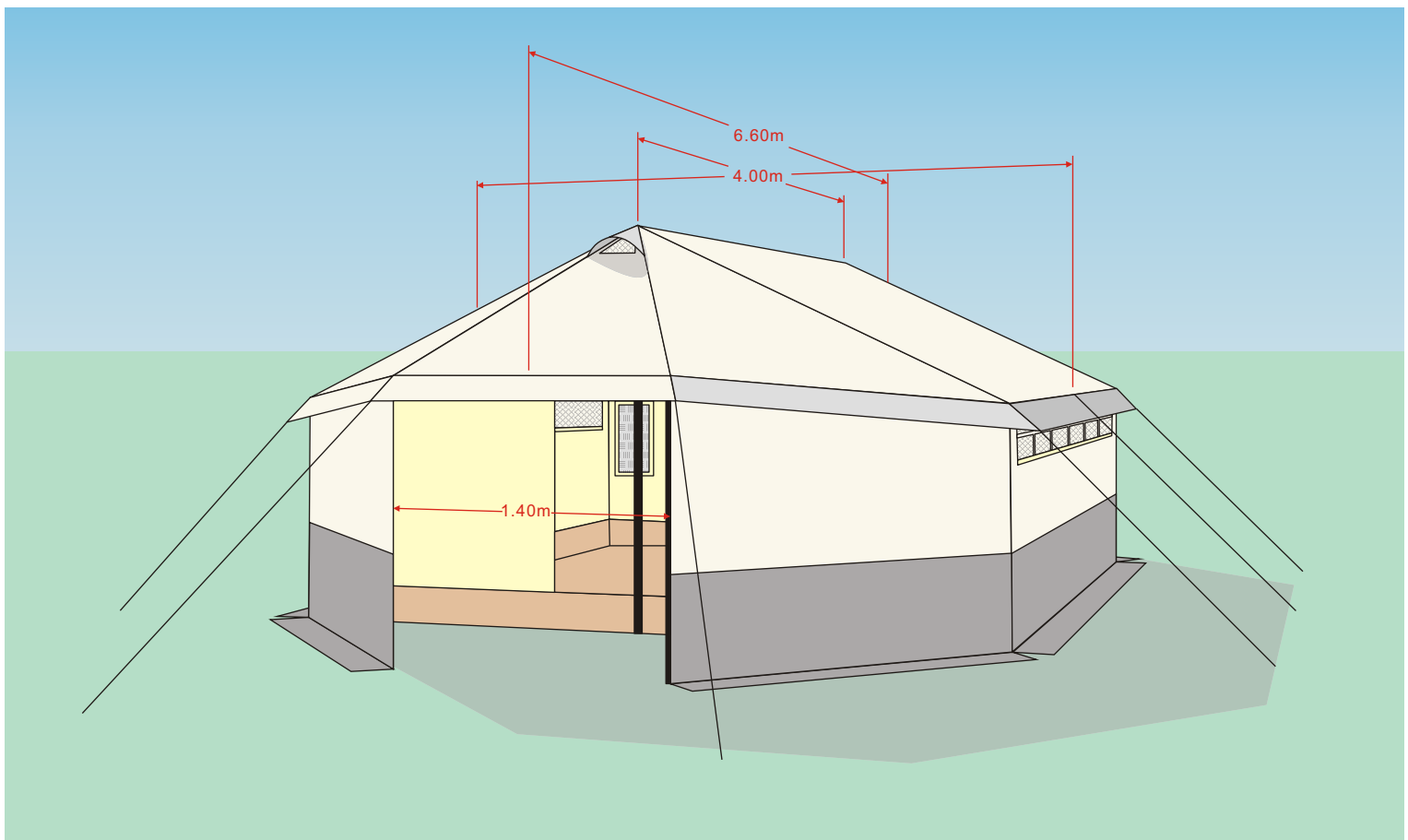
## Family tent 16m<sup>2</sup>

### How to be fire safe

- Mitigating actions should include the provision of a 30m firebreak between every 300m of built-up area, and a minimum of 2m but preferably twice the overall height of any structure between individual shelters to prevent any burning structures from touching adjacent tents. Increase the separation if building materials are highly flammable.
- Efficient stoves and flue pipes that burn appropriate fuel are essential.
- The stove must be located away from the tent wall and chimneys must have caps to prevent sparks from falling back into the tent. Chimneys should pass through the heat resistant fabric (non perforated).
- Some ventilation must be maintained, especially when stoves or fires are used. When cooking or heating takes place in a tent, health risks include tent fires, respiratory disease and eye infection from smoke.
- When possible, communal cooking facilities are the most appropriate.

### How to increase the lifespan of tents

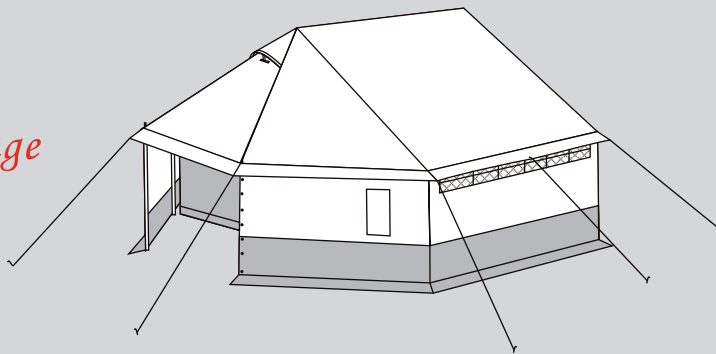
- It is possible to stockpile tents for a 5 year minimum without degradation. However, tents should be stored properly, protected from the sun, vermin and water. Tents should be stored elevated from the ground in a dry, clean and ventilated warehouse, at 1/2m away from walls. Tents are sensitive to rain and moisture when packed. Regularly check to ensure that they are not damp and rotting.
- The tent can be expected to have a minimum 1 year lifespan, maintaining its sheltering and waterproofing capacities in all types of climates.
- A repair tent should be built to provide spare parts and equipment, in order to repair canvas or broken poles.




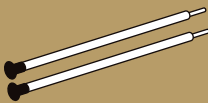













## Family tent 16m<sup>2</sup>



*Packing list for  
a standard tent package*



Content			
	Outer tent ×1		Inner tent ×1
	Ridge pipe of 4m in 2 pieces ×1		Upright poles of 2.20m ×2
	Central pole of 2.17m ×1		Side poles 1.25m ×6
	Door poles 1.40m ×4		Guy ropes of 8mm ×6
	Angled iron pegs of 350mm ×6		Guy ropes of 6mm ×4
	Candy cane pegs of 300mm ×4		Pegs of 230mm ×26
	Hammer ×1		Set-up instruction ×1
	Pair of Inner partitions ×1		

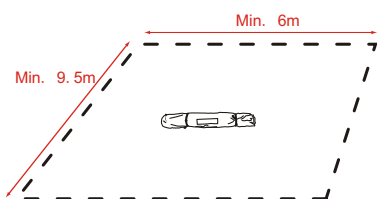
# Assembly instructions

X3



Ideal to assemble this tent.

1



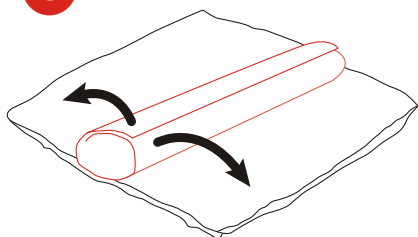
Place the package at the exact place where the tent will be erected.

2



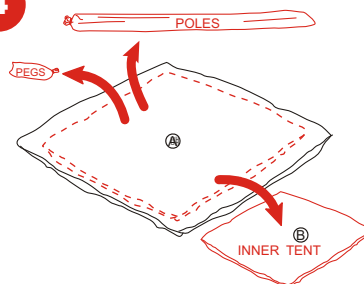
Remove the bag.

3



Unroll the bundle.

4



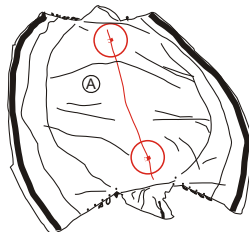
Take aside the bag with the poles and the accessories bag.

5



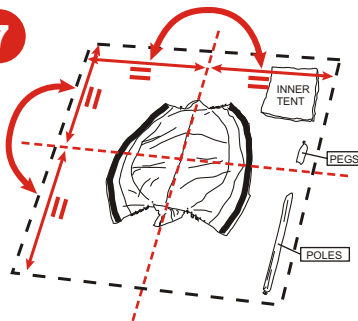
Unfold the outer tent canvas (the part made of heavy canvas, and carrying the ropes.)

6



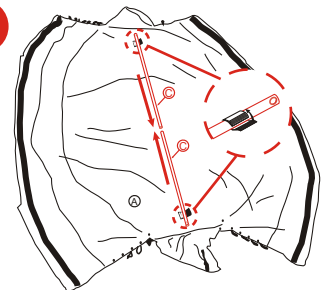
place the outer tent canvas inside up to make the ridge line visible. To identify the ridge line, look for the two Velcro sleeves, and also see the two triangular vents at each end of the ridge.

7



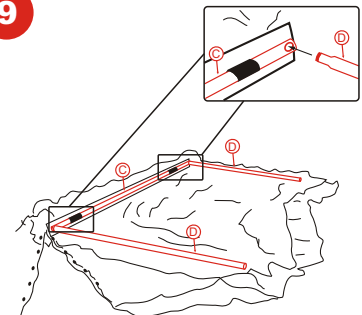
Align the tent canvas into the appropriate direction, according to the site planning.

8



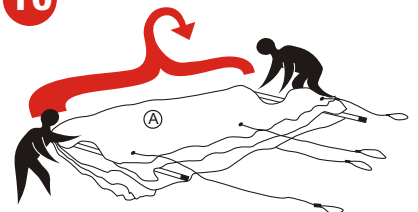
Assemble the ridge pipe and place it on the tent canvas, attach it with the two Velcro sleeves.

9



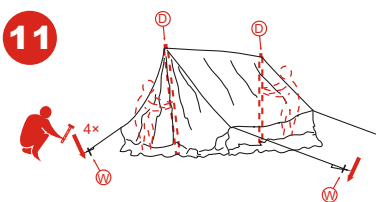
Place the two upright poles, one at each end of the ridge pipe.

10



Fold back the outer tent canvas on the previously installed pipes.

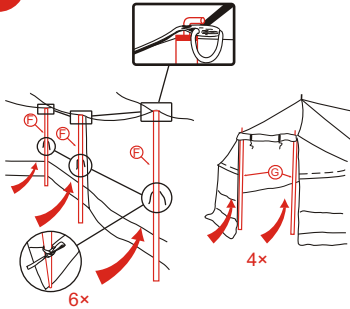
11



One person at each and taking the upright poles, pull up the tent. The third person places the 4 corner pegs into the ground as per the indication from the pitching plan, attaches and tensions the guy ropes of the 4 corner, of the tent. At this stage the tent should stand up by itself.

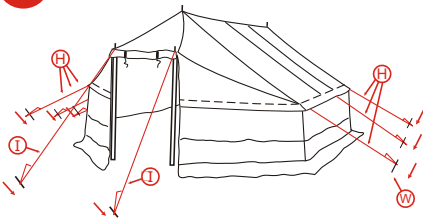
# Assembly instructions

12



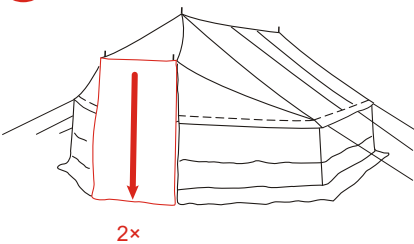
Place the 6 side poles and the 4 door poles on the inner side of the tent, attach them to the tent with the inside laces.

13



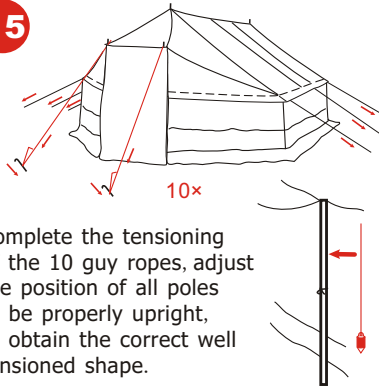
Place the remaining 6 pegs, attach and tension moderately all the guy ropes.

14



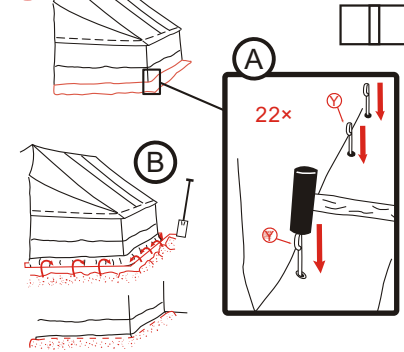
Close completely the 2 doors of the outer tent.

15



Complete the tensioning of the 10 guy ropes, adjust the position of all poles to be properly upright, to obtain the correct well tensioned shape.

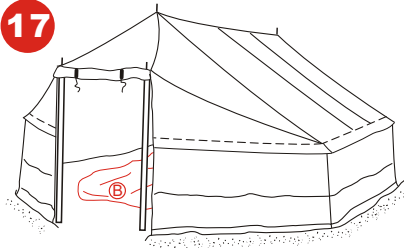
16



(A) : Once the shape of the outer tent is appropriate, fix the bottom of the walls to the ground with 22 pegs, from outside.

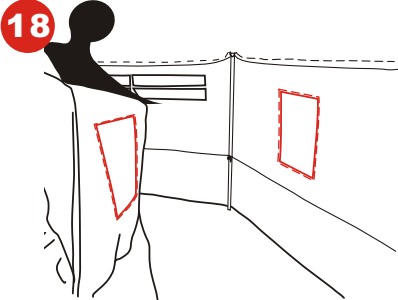
(B) : If possible, make a trench to bury the outer tent mud flap into the ground.

17



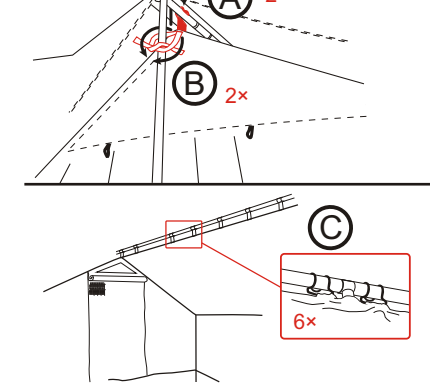
Open one door, get inside the tent, and unfold the inner tent.

18



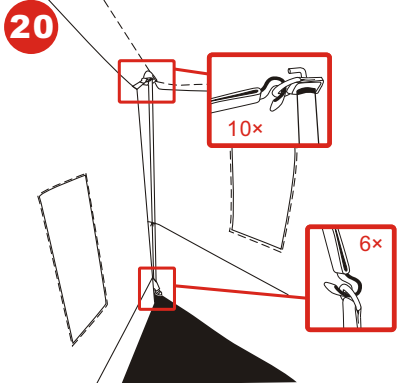
Turn the inner tent in a way that the position of the chimney pipe protection corresponds to the one on the outer tent.

19



Hang the inner tent to the ridge pipe, start first with only one hook at each end of the ridge pipe (A), then attach the inner tent to the upright poles with the laces (B), and then place the remaining 6 hooks on the ridge pipe (C).

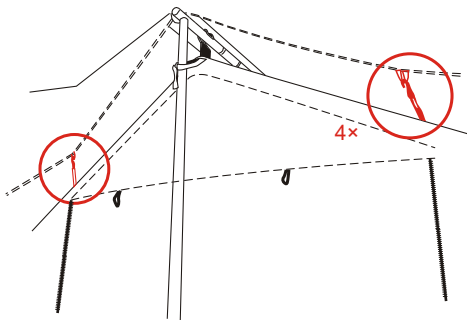
20



Hang the inner tent side walls to the side poles, using the 16 hooks and the 10 D-rings at the top and the 6 at bottom of the walls. Start from the middle, and finish by the door side.

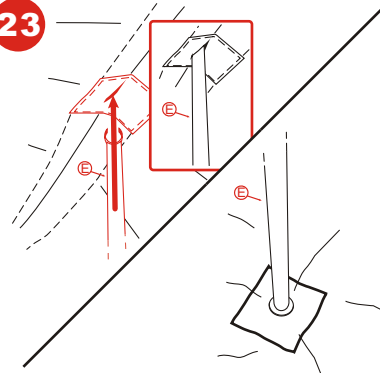
# Assembly instructions

21



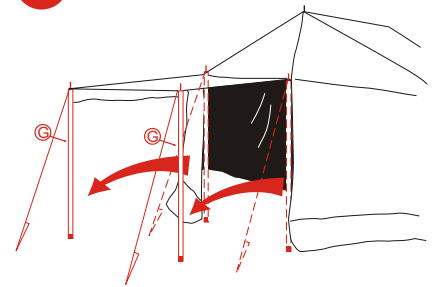
Attach the toggles to the loops at the top of each door zipper.

23



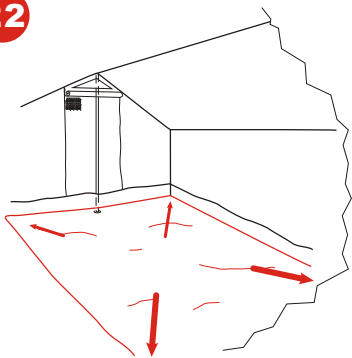
Place the central pole; make sure the base plate is located where the ground sheet is reinforced.

25



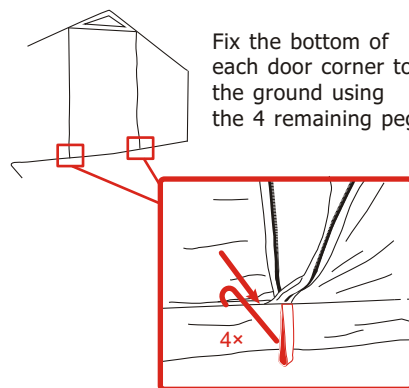
Outer tent doors can be used as awnings by moving the door poles, the door guy ropes and the pegs.

22



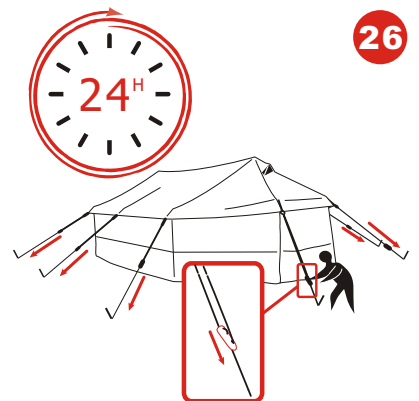
From inside the inner tent, flatten the ground sheet, and adjust the general shape of the inner tent.

24



Fix the bottom of each door corner to the ground using the 4 remaining pegs.

26



Check regularly the tensioning of the guy ropes and adjust if needed.