

BLUE TENT

FAMILY TENTS



Specifications & design may be altered without notice due to continuous product development. LAST UPDATED 08/2021

- SLOW FLAME SPREAD
- DISINFECTABLE
- FUNGI / MOLD RESISTANT
- EASY SETUP
- ALL CLIMATES
- UV RESISTANT

ICRC/IFRC/IOM STANDARD

CUSTOMER REFERENCE

HSHTENTF18

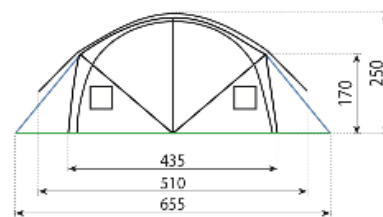
3500000058

DESCRIPTION

- » Basic Living Unit for Emergency
- » 5 person self-standing geodesic family tent
- » Easy to carry and set up
- » Rapid deployment shelter
- » Stable in strong winds
- » Comfortable in all climates

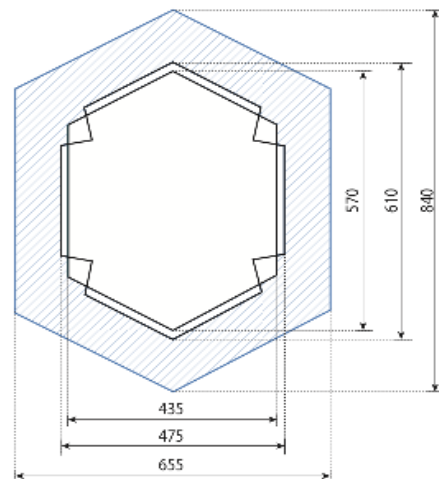
DIMENSIONS

LENGTH x WIDTH OUTER TENT	570 x 435 cm
CENTRAL HEIGHT	250 cm
DOOR HEIGHT	170 cm
SHADE COVER SURFACE	20 m ²
WEIGHT	44 kg



MAIN MATERIALS

OUTER TENT	Woven PE - ICRC/IFRC standard
GROUND SHEET	Woven PE - ICRC/IFRC standard
SHADE COVER	Woven PE - ICRC/IFRC standard
MOSQUITO NETTING	Polyester PVC coated
POLES	5 identical poles 834 cm (Aluminium 6061-T6 Ø 18,5 mm)
PEGS	6 T Pegs (25 x 25 x 3 mm) 40 cm
COLOR	White



TENT
FOOTPRINT

PERFORMANCE AND CHARACTERISTICS

SHELF LIFE	Min. 5 years
LIFE SPAN	Min. 1 year in all climates
TREATMENT	Fungi/mould resistant treated
SETUP	Easy setup (15 min 3 persons)
WIND RESISTANCE	Up to 120 km/h

TENT FEATURES

DOORS	2 doors (90 x 170 cm)
WINDOWS	6 windows (50 x 50 cm), 2 on each side of the tent and 1 next each door
VENTILATION	6 ventilation openings (85 x 55 cm) at the top of the tentroof above the doors
CHIMNEY	1 chimney reinforcement

PACKING

PACKING UNIT	PE bag, with separated webbing bands + handle
CONTENT	Shade cover, outer tent, inner separation, accessories and hammer
PACKED QTY PER PACKING UNIT	1 piece
DIMENSIONS WEIGHT VOLUME	45 x 35 x 110 cm 46,5 kg 0,17 m ³
PACKED QTY PER PALLET	6 pcs per pallet
DIMENSIONS WEIGHT VOLUME	115 x 106 x 113 cm 299 kg 1,38 m ³
PACKED QTY 20 FT DC CTN	140 pcs unpalletized 120 pcs palletized
PACKED QTY 40 FT DC CTN	280 pcs unpalletized 264 pcs palletized
PACKED QTY 40 FT HC CTN	340 pcs unpalletized 264 pcs palletized
LOGO PRINTING	Upon customer request

INDICATED WEIGHTS AND VOLUMES ARE FOR YOUR INFORMATION ONLY AND MAY VARY ACCORDING TO PRODUCT SPECIFICATION.
FOR ALL DIMENSIONS AND WEIGHTS A TOLERANCE OF 3% IS APPLIED

ADD-ONS

- Winterization kit
- Inner tent

STOCKS

Belgium, Pakistan